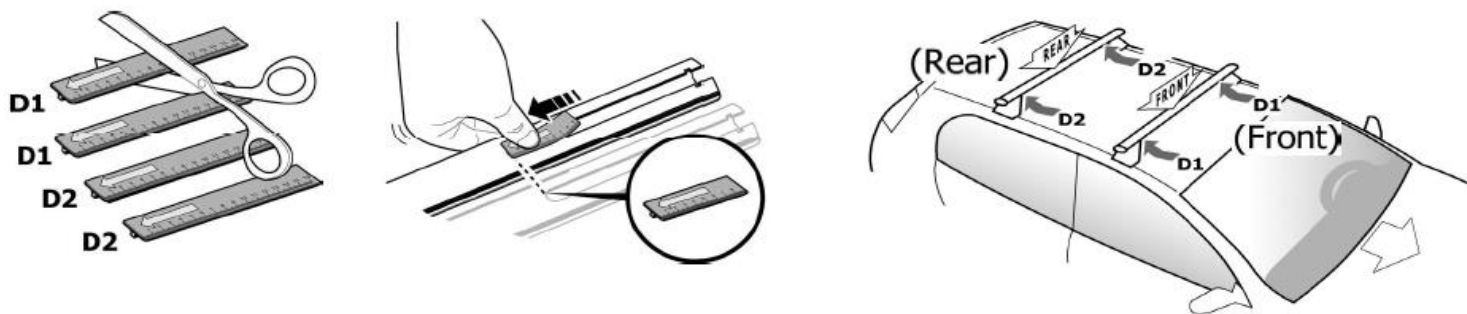
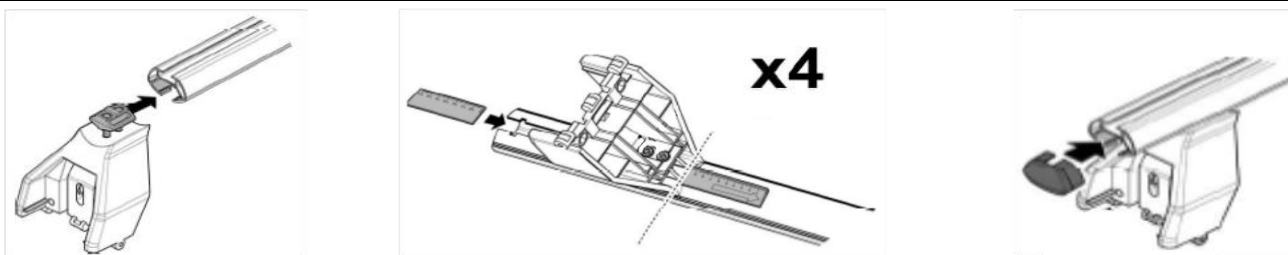


1

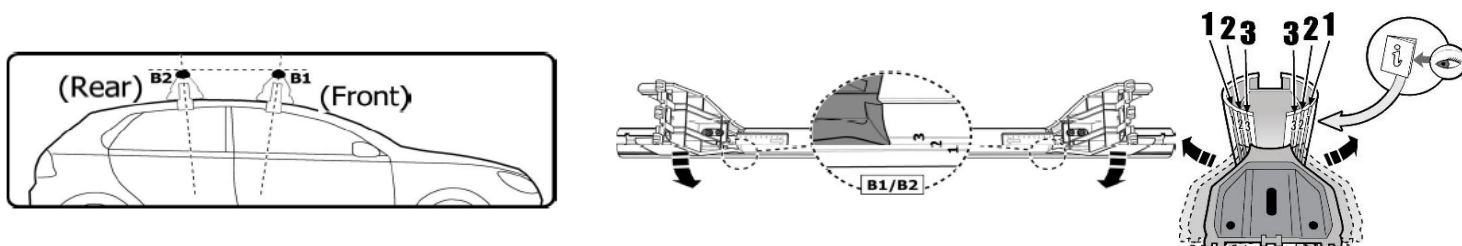


MANUFACTURER	MODEL CAR	DOORS	MODEL YEAR	D1	D2
INFINITY	Q50	4	13>	4,4	3,2

2

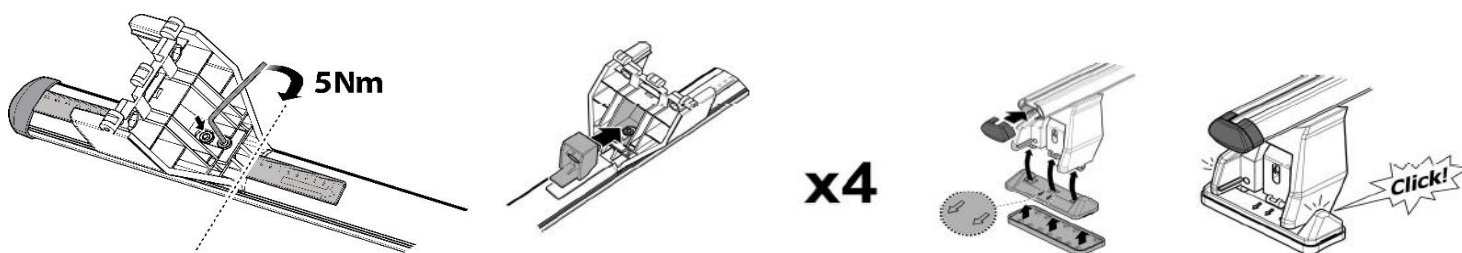


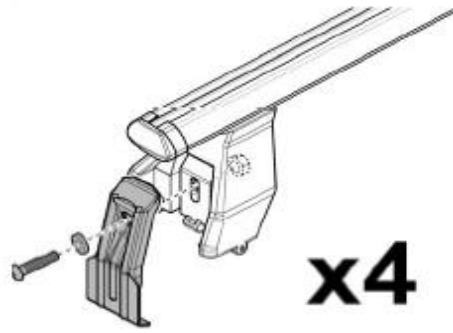
3



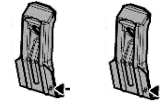
MANUFACTURER	MODEL CAR	DOORS	MODEL YEAR	B1	B2
INFINITY	Q50	4	13>	2	2

4

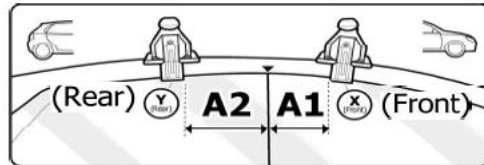
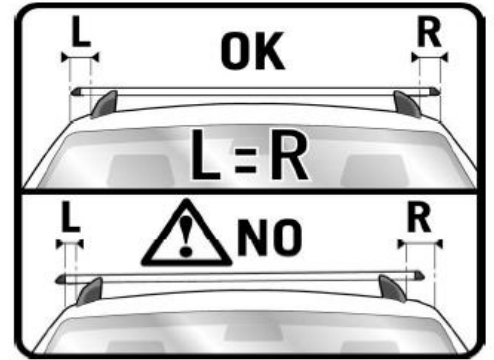
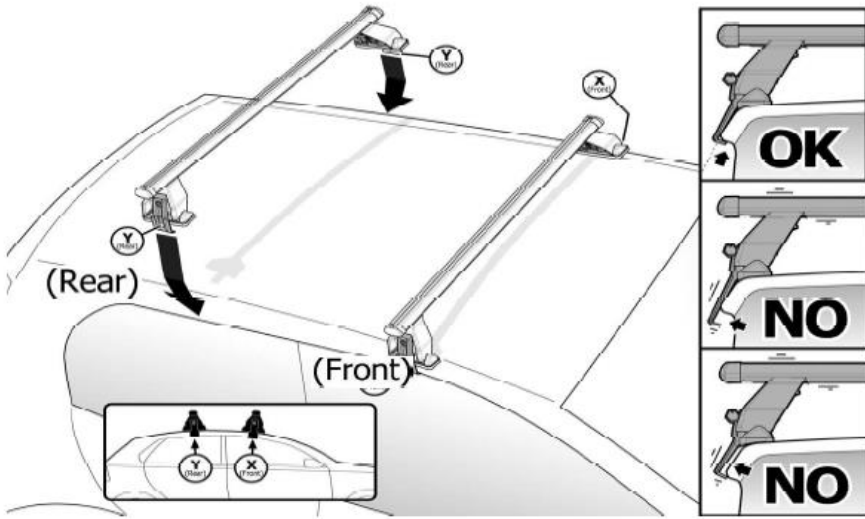




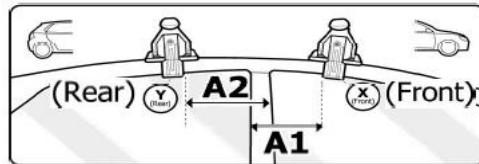
Front	Rear
X	Y



16	1
2X	2X



OR



MANUFACTURER	MODEL CAR	DOORS	MODEL YEAR	A1 cm	A2 cm	A1 in	A2 in
INFINITY	Q50	4	13>	23	39	9,1	15,4

X = predisposizione originale /original arrangement