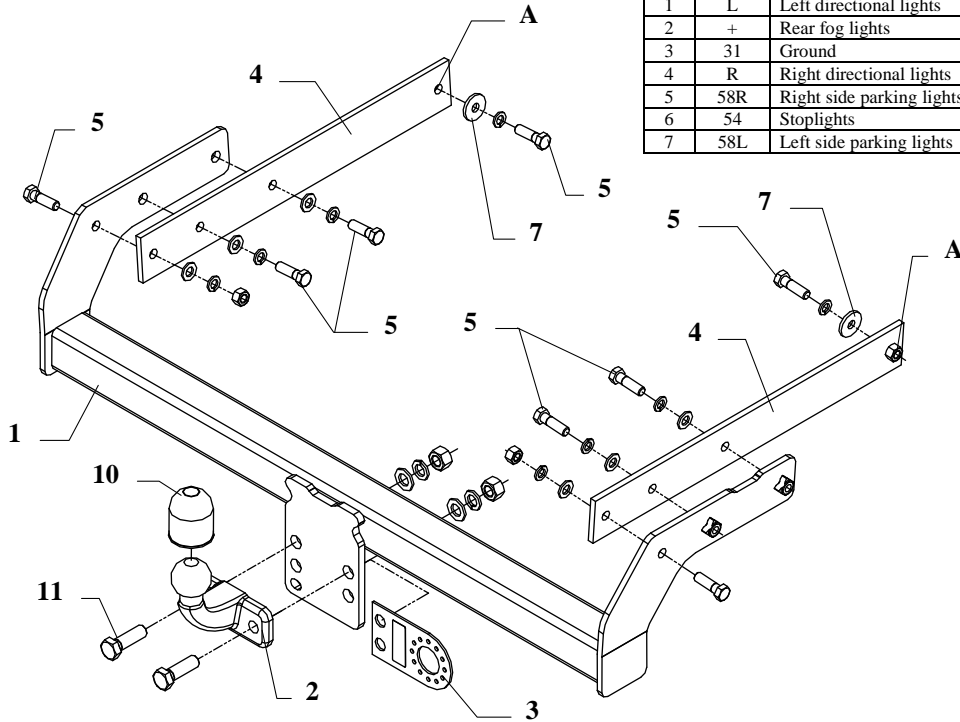


FITTING INSTRUCTION

Clamp mark in acc. with		Cables joining
ISO	PN	
1	L	Left directional lights
2	+	Rear fog lights
3	31	Ground
4	R	Right directional lights
5	58R	Right side parking lights
6	54	Stoplights
7	58L	Left side parking lights



This towing hitch is designed to assembly in following cars:
VOLKSWAGEN T5, loading platform, double cabin, produced since 04.2003 till 06.2015 and **VOLKSWAGEN T6, loading platform, double cabin**, produced since 07.2015 till 08.2019 and since 09.2019, catalogue no. **K47** and is prepared to tow trailers max total weight **2500 kg** and max vertical load **100 kg**.

From manufacturer

Thank you for buying our product. Their reliability has been confirmed in many tests. Reliability of towing hitch depends also on correct assembly and correct exploitation. For this reasons we kindly ask to read carefully this instruction and apply to hints.

The towing hitch should be installing in points described by a car producer.

The instruction of the assembly

1. Slide fish-plates with nuts (pos. 4) in frame members and fix it by bolts 12x40mm (pos. 5) through holes A using big washers (pos. 7) from towing hitch accessories.
2. Slide body of the towing hitch (pos. 1) in frame members and fix with already mounted elements (pos. 4) by bolts M12x40mm (pos. 5) according to drawing.
3. Fix tow-ball (pos. 2) and socket plate (pos. 3) using bolts M16x50mm (pos. 11) from towing hitch accessories.
4. Connect electric wires of 7-poles socket according to the instruction of the car. (Recommend to make at authorized service station)
5. Complete paint layer damaged during installation.

Torque settings for nuts and bolts (8,8):

M6 - 11 Nm	M8 - 25 Nm	M10 - 50 Nm
M12 - 87 Nm	M14 - 138 Nm	M16 - 210 Nm

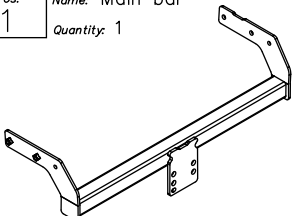


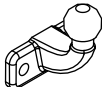

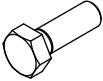
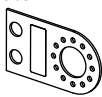


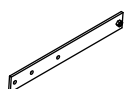




NOTE

After install the towing hitch you should get adequate note in registration book (at authorised service station).The car should be equipped with:

- Indicators
- Tow mirrors

After 1000km check all bolts and nuts. The ball of towing hitch must be always kept clear and conserve with a grease.

Towing hitch accessories:

Pos. 1	Name: Main bar Quantity: 1	Pos. 5	Name: Bolt 8,8 B Quantity: 8 Dim.: M12x40mm	Pos. 10	Name: Ball cover Quantity: 1
					
Pos. 2	Name: Tow ball Quantity: 1	Pos. 6	Name: Nut 8 B Quantity: 2 Dim.: M12	Pos. 11	Name: Bolt 8,8 B Quantity: 2 Dim.: M16x50mm
					
Pos. 3	Name: Socket plate Quantity: 1	Pos. 7	Name: Washer Quantity: 2 Dim.: Ø35xØ12x4mm	Pos. 12	Name: Plain washer Quantity: 2 Dim.: Ø 16 mm
					
Pos. 4	Name: Fish-plate with nut Quantity: 2	Pos. 8	Name: Plain washer Quantity: 6 Dim.: Ø 13 mm	Pos. 13	Name: Spring washer Quantity: 2 Dim.: Ø 16 mm
					
Pos. 9	Name: Spring washer Quantity: 8 Dim.: Ø 12,2 mm	Pos. 14	Name: Nut 8 B Quantity: 2 Dim.: M16		
					



AUTO-HAK Sp. z o. o.

ul. Słoneczna 16K
76-200 SŁUPSK
tel./fax. 59 8 414 414; 59 8 414 413
E-mail: office@autohak.com.pl
www.autohak.com.pl

Towing hitch (without electrical set)

Class: **A50-X** Cat. no. **K47**

Designed for:

Manufacturer: **VOLKSWAGEN**

Model: **T5**

Type: **loading platform, double cabin**

produced since 04.2003 till 06.2015

Model: **T6**

Type: **loading platform, double cabin**

produced since 07.2015 till 08.2019 and since 09.2019

Technical data:

D-value: 14,4 kN

maximum trailer weight: **2500 kg**

maximum vertical cup load: **100 kg**

Approval number acc. to regulations EKG/ONZ 55.01: **E20-55R-01 1614**

Foreword

This towing hitch is design according to rules of safety traffic regulations. The towing hitch is a safety component and must be installed only by qualified personnel. Any alteration or conversion to the towinh hitch is prohibited and would lead to cancellation of design certification. Remove insulating compound and underseal from vehicle (if present) in the area of the matting surfaces of the towing hitch.

The vehicle manufacturer's specifications regarding trailer load and max. vertical cup load are decisive for driving, and values for the towing hitch cannot be exceeded.

D-value formula:

$$\frac{\text{Max trailer weight [kg]} \times \text{Max vehicle weight [kg]}}{\text{Max trailer weight [kg]} + \text{Max vehicle weight [kg]}} \times \frac{9,81}{1000} = D \text{ [kN]}$$